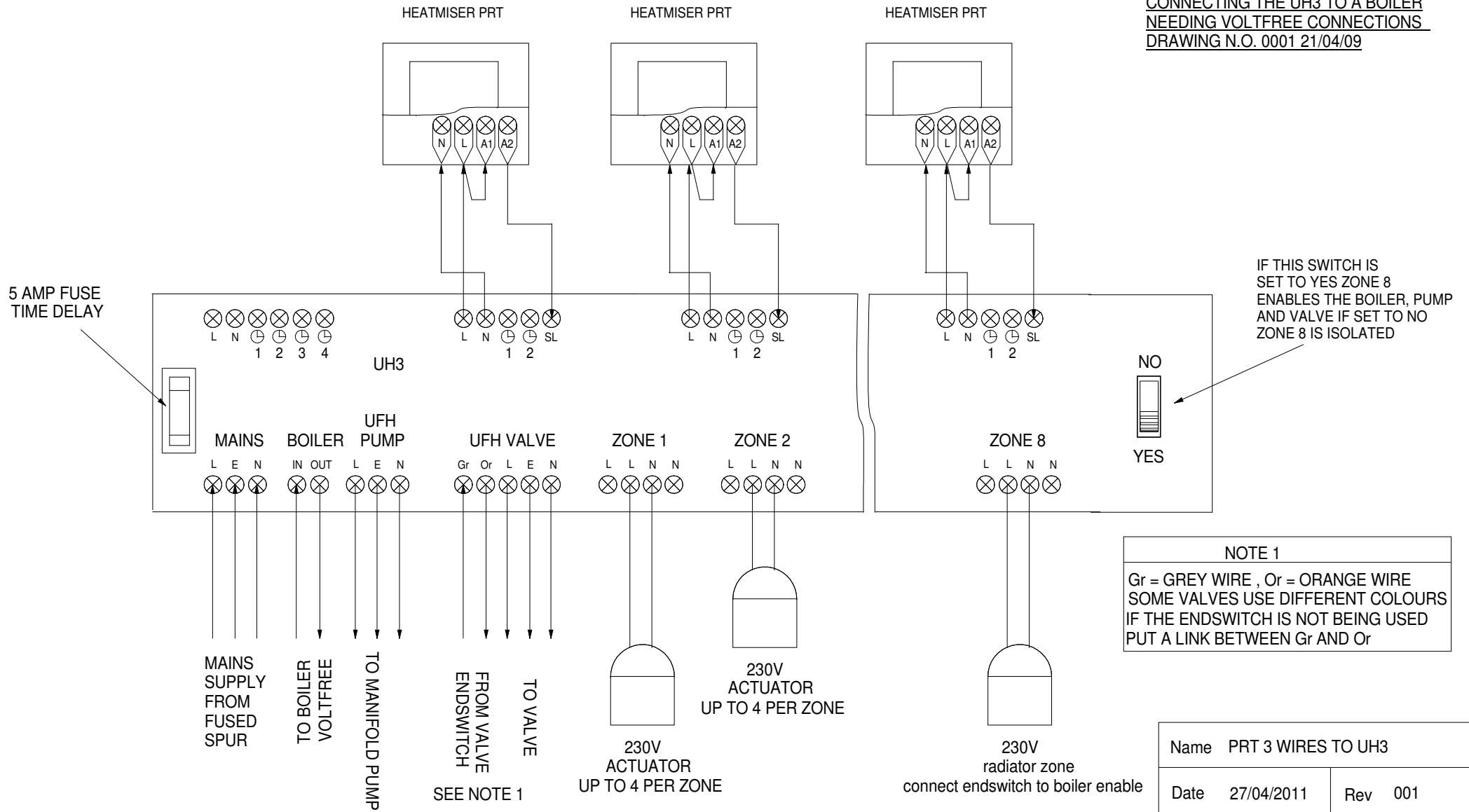


CONNECTING THE HEATMISER PRT TO THE UH3 WITH 3 WIRES

CONNECTING THE UH3 TO A BOILER
NEEDING VOLTFREE CONNECTIONS
DRAWING N.O. 0001 21/04/09



Name	PRT 3 WIRES TO UH3	
Date	27/04/2011	Rev 001
Drawn by	Alan Mee	